

# BLOOM™ WINCH



"Quality Since  
1910"

## Series 800WC

### HYDRAULIC CABLE WINCHES

The rugged construction and versatility of the **800C Series** makes it adaptable to a wide range of applications. The **800C Series** winches are equipped with a sliding clutch to allow free-spooling of the drum for pulling applications including drill rigs, mining and logging operations.



**UP TO 8,000 LBS.  
CAPACITY**

## Bloom™ Hydraulic Cable Winches – Standard Features

- BRAKE** - **DUET-SAFE® Double Action Braking System** combines a powerful spring applied, hydraulic released brake with a double counter balance brake valve to automatically hold loads when hydraulic pressure is released and control speed during lowering operations. Winch is ideal for high speed pulling applications or wherever load holding is critical.
- GEAR CASE** - Made of high strength cast iron. Completely sealed for oil enclosed operation and to keep dirt out.
- WORM SHAFT** - One piece alloy steel hardened and ground for extra durability. Compact design allows hydraulic motor to be coupled directly to worm.
- WORM GEAR** - High tensile aluminum-nickel alloy bronze. Optimum lead and pressure angles transmit maximum power to the drum.
- GEAR RATIO** - 20:1 standard, 10:1 optional ratios provide optimum efficiency in power and speed.
- BEARINGS** - Worm gear and worm shaft run on tapered roller bearings. Outer end housing has sealed ball bearing.
- DRUM SHAFT** - 1-1/4" diameter heat -treated alloy steel minimum tensile strength 150,000 psi.
- CABLE DRUM** - Tough all steel construction resists breakage or warping.
- CLUTCH OPTION** - 800WC Series winches comes equipped with heat-treated dog type clutch to provide free-spooling of the winch drum. Positive lock-in and lock-out.



[www.bloommfg.com](http://www.bloommfg.com)

# BLOOM

Manufacturing Inc.

Winch Division

**"Custom Engineered Solutions"**

**Lifting  
Pulling  
Hoisting**

Toll Free Number: 1-800-394-1139

1443 220<sup>th</sup> Street,, Independence, Iowa 50644 • FAX: 319-827-1140 • PHONE: 319-827-1139

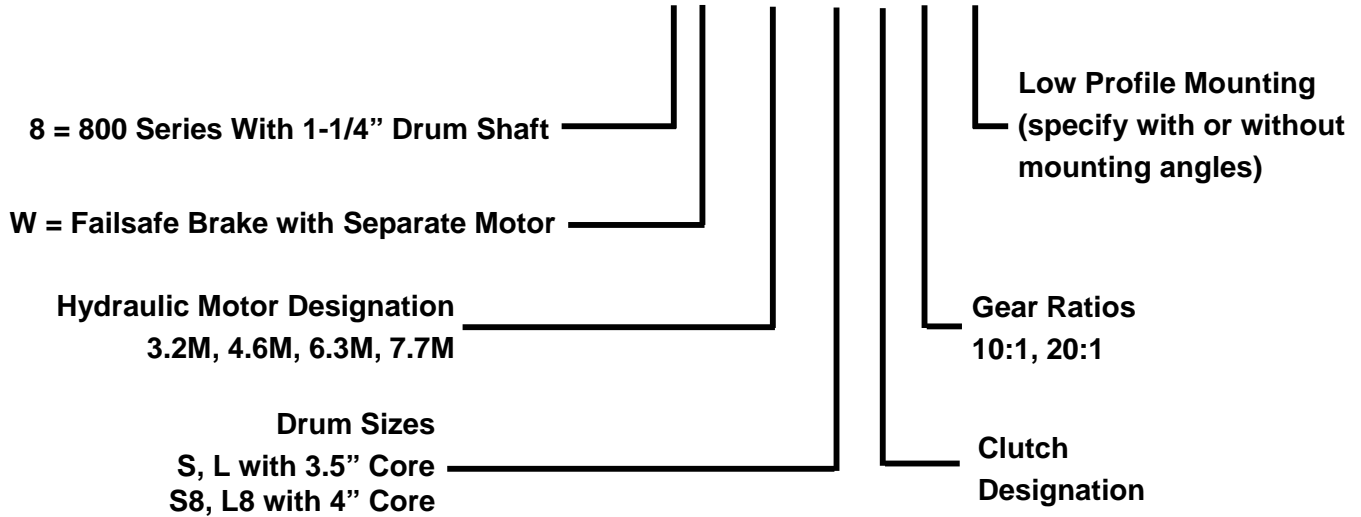
# BLOOM™ WINCH



"Quality Since  
1910"

## 800WC Series Model Selection from Performance Data

MODEL EXAMPLE: **8W-3.2M-L8-C-10-LP**



**(8W)** Indicates winch series with 1-1/4" drum shafts.

**(3.2M)** Designates hydraulic motor. Motor size is determined from motor performance charts. Motors are directly coupled to spring applied hydraulic release brake.

**(L8)** Select drum size from chart below:

### DRUM CAPACITY

CABLE DIAMETER (IN.)	1/4	5/16	3/8	7/16	1/2
DRUM "S" CAPACITY (FT.)	120	70	45	30	25
DRUM "L" CAPACITY (FT.)	175	105	65	45	30
DRUM "S8" CAPACITY (FT.)	260	160	105	75	55
DRUM "L8" CAPACITY (FT.)	390	240	160	110	80

**(C)** Designates 800C winch with dog type clutch for free-spooling drum.

**(10)** Indicates gear ratio. 20:1 is standard. 10:1, is also available.

**(LP)** Design low profile mounting on 800WC Series winches. 800WC Low Profile Series winches with mounting angles are available with S, S8, L and L8 drums. However, it is necessary on all low profile whether the winch is to be supplied "with angles" or "less angles".

# BLOOM™ WINCH

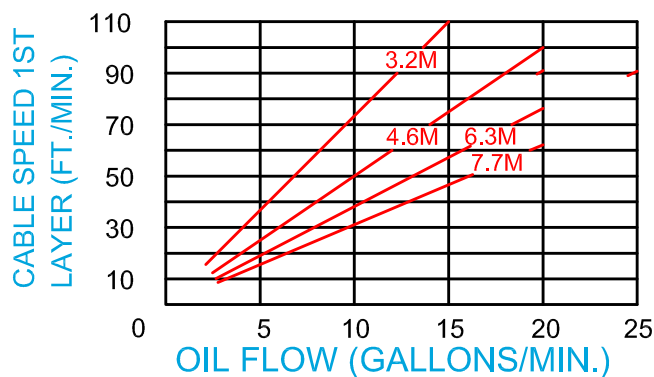
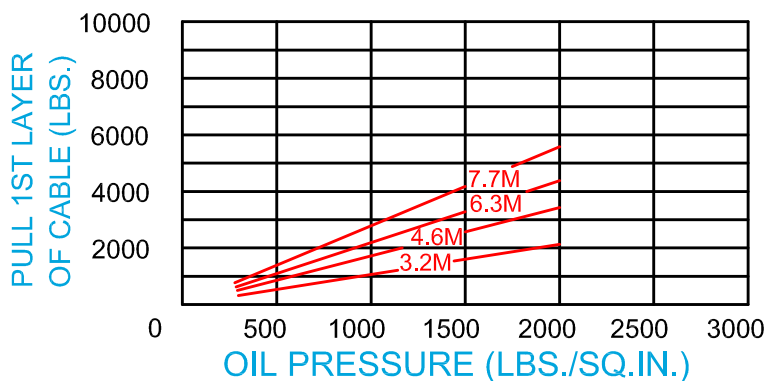


“Quality Since 1910”

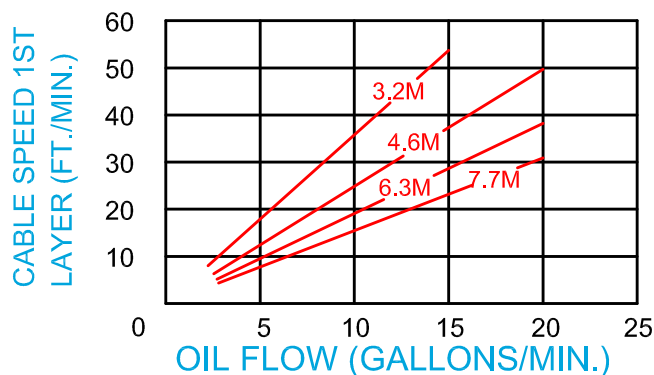
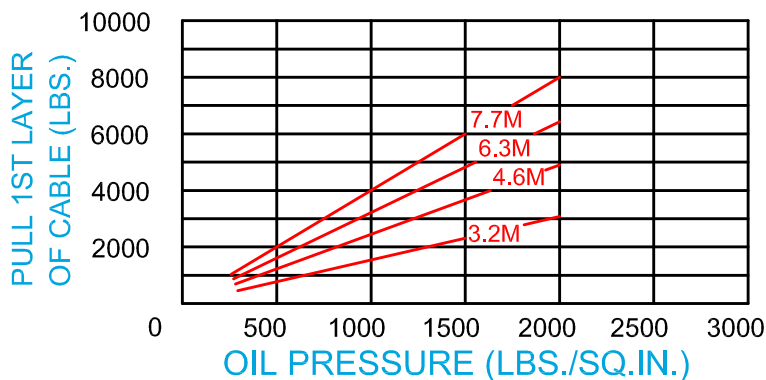
## Series 800WC

### Bloom Hydraulic Cable Winches Model Selection from Performance Data

10:1 RATIO (optional)



20:1 RATIO (standard)



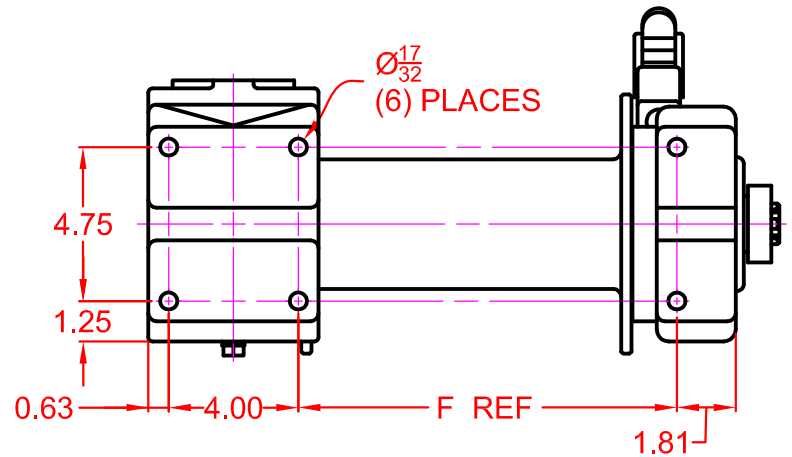
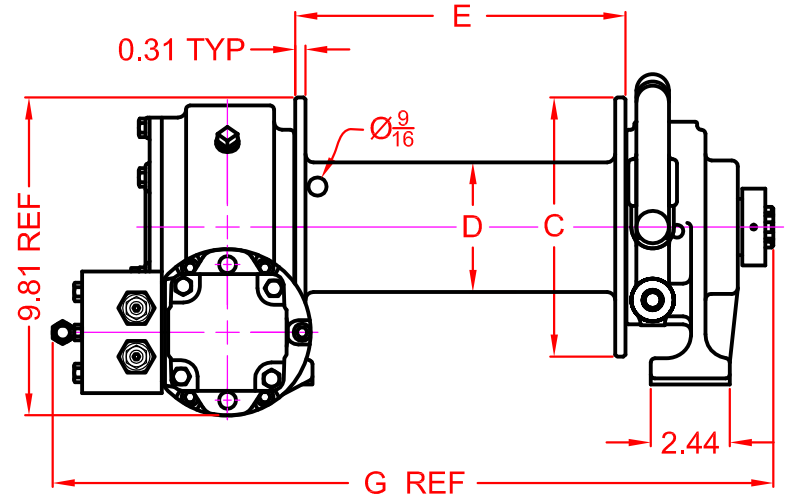
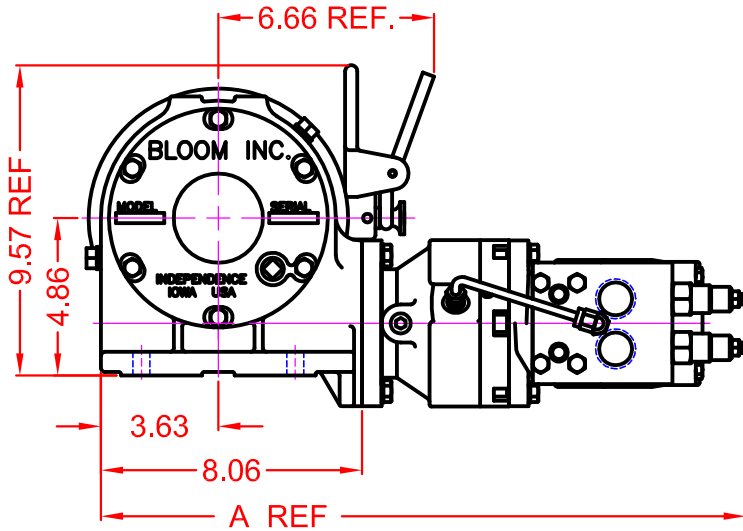


“Quality Since  
1910”

# BLOOM™ WINCH

## Dimensional Drawings

8W Series With S, S8, L and L8 Drum  
Base Mount Model - Clutch Drive



MOTOR DESIGNATION	3.2	4.6	6.3	7.7	10.0
A DIMENSION	19.90	19.90	19.90	19.90	19.90

DRUM DESIGNATION	WINCH DIMENSION				
	C	D	E	F	G
S	6	3.50	7.19	8.69	19.24
S8	8	4	7.19	8.69	19.24
L	6	3.50	10.19	11.69	22.24
L8	8	4	10.19	11.69	22.24

# **BLOOM™ WINCH**

## Correct choice of Directional Control Valves for Bloom Winches

**Motor Spool Valve** – Work Ports are **open** to tank in neutral position

Use on all winches that use Counter Balance Valves to hold load.

Some winches may use a combination of CB Valve and Hydraulic Brake.

\*Winches require ridged mounting plate.

See owner's manual for information about proper mounting plate thickness or call Bloom Sales Engineer at factory.

### **WARNING!**

Goods are not intended for use in the moving or lifting of persons!

The winches described herein are neither designed nor intended for use or application to equipment used in the lifting or moving of persons and it is understood that all such use shall be at the sole risk of the user.

The cable clamps on winches are not designed to hold rated loads. A minimum of 5 wraps of cable must be left on drum barrel to guarantee holding of rated load.

Applications of winch where life would be endangered by any event are not recommended.



## **BLOOM Manufacturing Inc.**

### **Winch Division**

1443 220<sup>th</sup> Street, Independence, Iowa 50644

FAX 319-827-1140 PHONE 319-827-1139

[www.bloommfg.com](http://www.bloommfg.com)

©Copyright 2010 Bloom Mfg. Inc.