

BLOOM™ WINCH

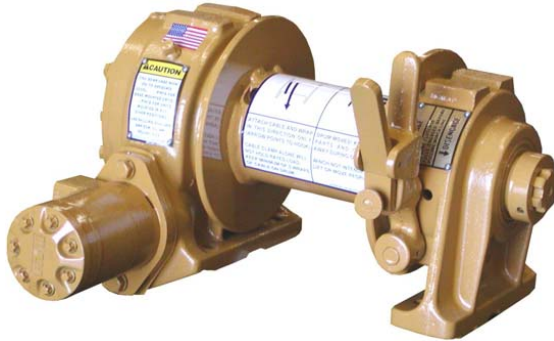


"Quality Since
1910"

Series 800C

HYDRAULIC CABLE WINCHES

The rugged construction and versatility of the **800C Series** makes it adaptable to a wide range of applications. The **800C Series** winches are equipped with a sliding clutch to allow free-spooling of the drum for pulling applications including drill rigs, mining and logging operations.



800C Series Base Mount Shown
Low Profile Mount Available

**UP TO 8,000 LBS.
CAPACITY**

Bloom™ Hydraulic Cable Winches – Standard Features

- GEAR CASE** - Made of high strength cast iron. Completely sealed for oil enclosed operation and to keep dirt out.
- WORM SHAFT** - One piece alloy steel hardened and ground for extra durability.
- WORM GEAR** - High tensile aluminum-nickel alloy bronze. Optimum lead and pressure angles transmit maximum power to the drum.
- GEAR RATIO** - 20:1 standard, and 10:1 optional ratios provide optimum efficiency in power and speed.
- BEARINGS** - Worm and drum shaft run on tapered roller bearings. Outer end housing has a sealed ball bearing.
- DRUM SHAFT** - 1-1/4" diameter heat-treated alloy steel minimum tensile strength 150,000 psi.
- CABLE DRUM** - Tough all steel construction resists breakage or warping.
- CLUTCH OPTION** - 800C Series winches comes equipped with heat-treated dog type clutch to provide free-spooling of the winch drum. Positive lock-in and lock-out.

CAUTION:

This winch model does not include any kind of holding brake. If your application requires a holding brake choose 800HC or 800WC series winches with automatic hydraulic safety brakes.



www.bloommfg.com

BLOOM

Manufacturing Inc.

Winch Division

"Custom Engineered Solutions"

**Lifting
Pulling
Hoisting**

Toll Free Number: 1-800-394-1139

1443 220th Street, Independence, Iowa 50644 • FAX: 319-827-1140 • PHONE: 319-827-1139

BLOOM™ WINCH



"Quality Since
1910"

800C Series Model Selection from Performance Data

MODEL EXAMPLE: 8-B-L8-C-20-LP

Gear Case and
Shaft Designation

8 = 800C Series with 1-1/4" Drum Shaft

Hydraulic Motor Designation

A, B, C, DD

IS Input Shaft

Drum Sizes

S, S8, L, L8

Low Profile Mounting
(specify with or without
mounting angles)

Gear Ratios

10:1, 20:1

Clutch

Designation

- (8) Indicates 800 series winch with 1-1/4" drum shaft. Models with 1-1/4" shaft are available up to 8000 lbs. capacity.
- (B) Designates hydraulic motor. Motor size is determined from motor performance charts. All motors have 7/8-14 SAE O-ring ports. To order a mechanically driven winch with 1" input shaft use designation "IS".
- (L8) Select drum size from chart below:

DRUM CAPACITY

CABLE DIAMETER (IN.)	1/4	5/16	3/8	7/16	1/2
DRUM "S" CAPACITY (FT.)	120	70	45	30	25
DRUM "S8" CAPACITY (FT.)	260	160	105	75	55
DRUM "L" CAPACITY (FT.)	175	105	65	45	30
DRUM "L8" CAPACITY (FT.)	390	240	160	110	80

- (C) Designates 800C winch with dog type clutch for free-spooling drum.
- (20) Indicates gear ratio. 20:1 is standard. 10:1 is also available.
- (LP) Design low profile mounting on 800C Series winches. However, it is necessary on all low profile winches to specify whether the winch is to be supplied "with angles" or "less angles".

BLOOM™ WINCH



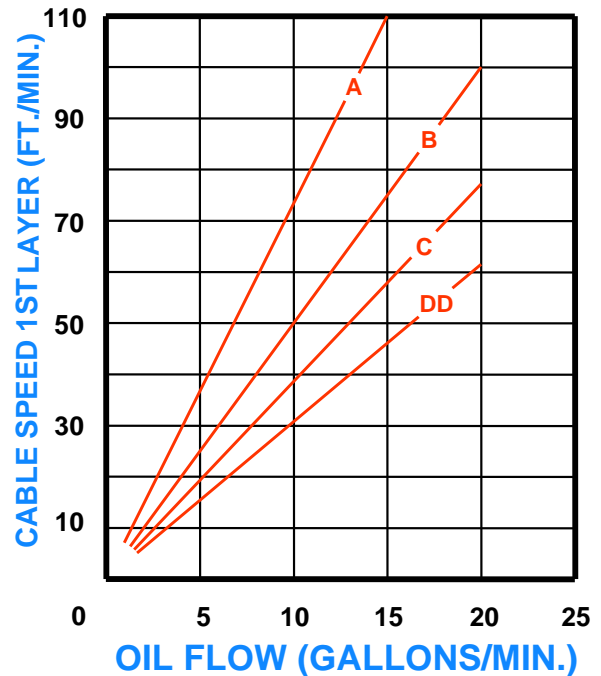
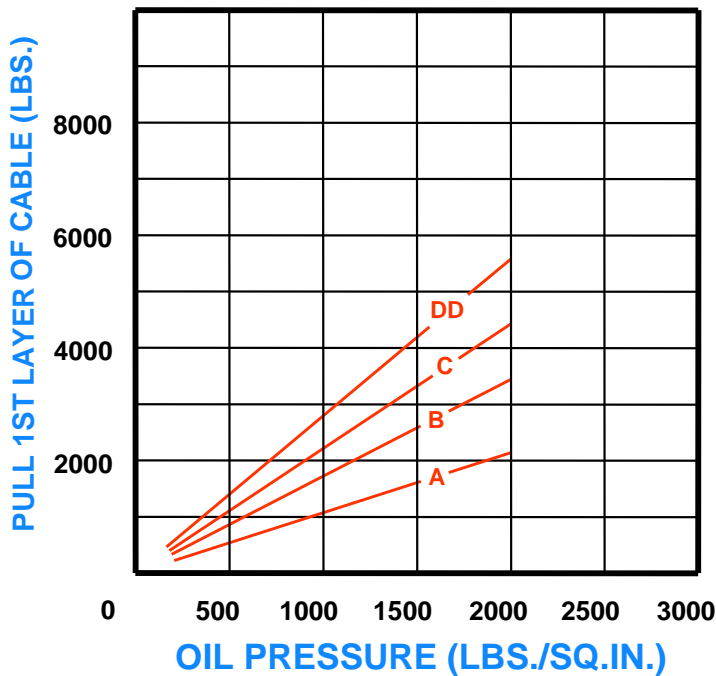
"Quality Since
1910"

800C Series

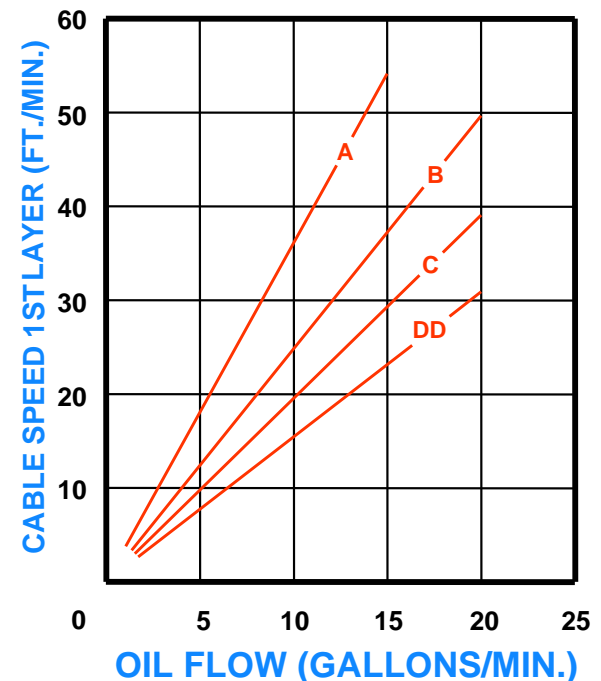
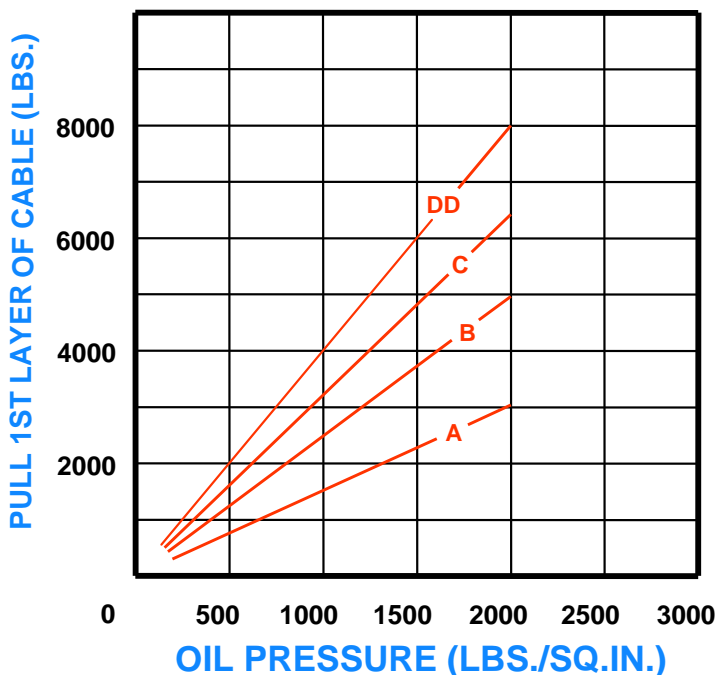
Bloom Hydraulic Cable Winches

Model Selection from Performance Data

10:1 RATIO (optional)



20:1 RATIO (standard)



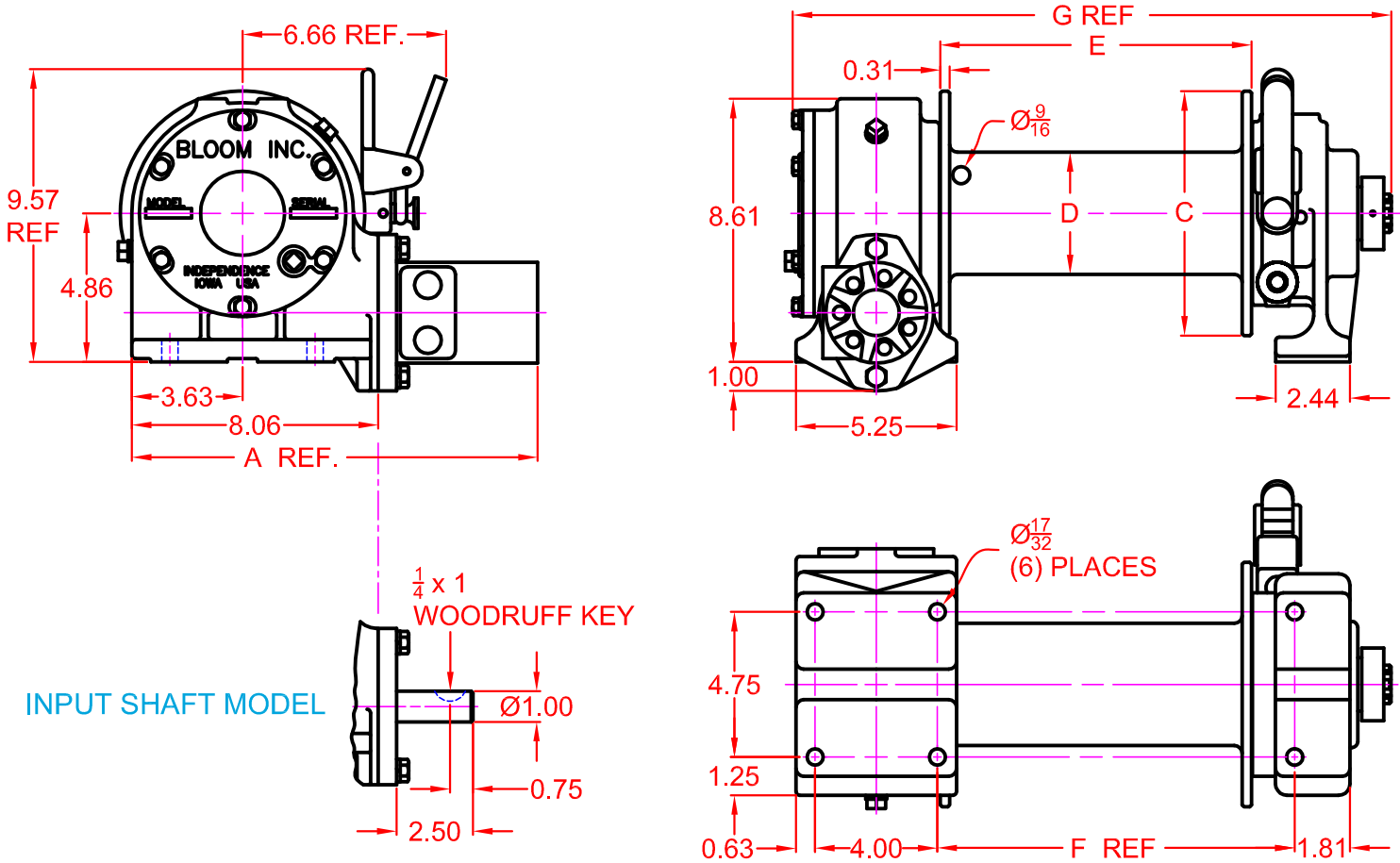
BLOOM™ WINCH



Dimensional Drawings

800 Series With S, S8, Land L8 Drum
Base Mount Model - Clutch Drive

"Quality Since
1910"



MOTOR DESIGNATION	A	B	C	DD
A DIMENSION	13.28	13.43	13.55	13.68

DRUM DESIGNATION	WINCH DIMENSION				
	C	D	E	F	G
S	6	3.50	7.19	8.69	16.62
S8	8	4	7.19	8.69	16.62
L	6	3.50	10.19	11.69	19.62
L8	8	4	10.19	11.69	19.62

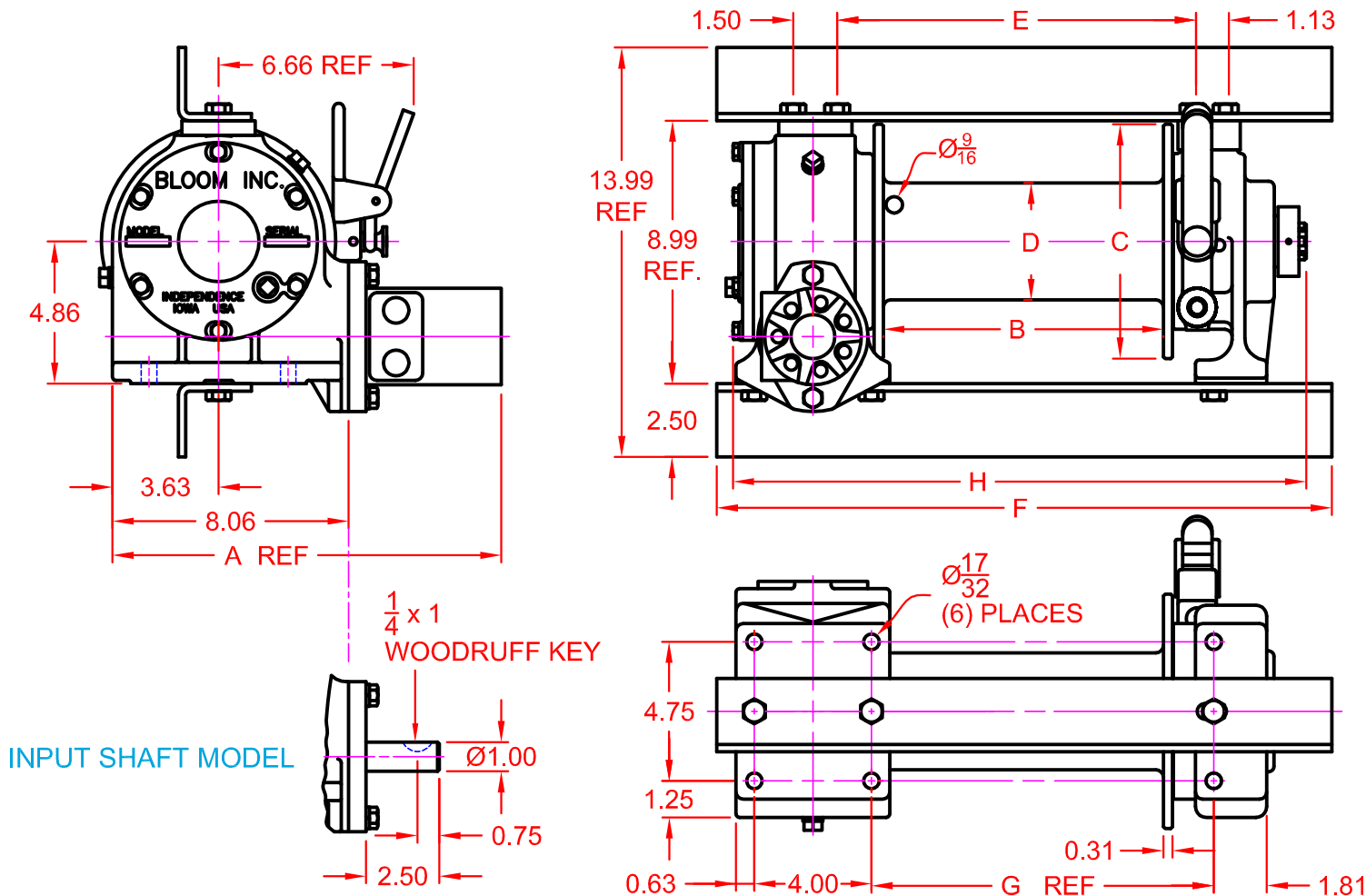
BLOOM™ WINCH



Dimensional Drawings

800 Series With S, S8, L and L8 Drum
Low Profile Mount - Clutch Drive

"Quality Since
1910"



MOTOR DESIGNATION	A	B	C	DD
Ⓐ DIMENSION	13.28	13.43	13.55	13.68

DRUM DESIGNATION	WINCH DIMENSION						
	B	C	D	E	F	G	H
S	7.19	6	3.50	9.19	18.00	8.69	16.62
S8	7.19	8	4	9.19	18.00	8.69	16.62
L	10.19	6	3.50	12.19	21.00	11.69	19.62
L8	10.19	8	4	12.19	21.00	11.69	19.62

BLOOM™ WINCH

Correct choice of Directional Control Valves for Bloom Winches

Tandem Center Spool Valve – Work Ports are **blocked** in neutral position

Use on all winches that use motor only to hold load.

*Winches require ridged mounting plate.
See owner's manual for information about proper mounting plate thickness or call Bloom Sales Engineer at factory

WARNING!

Goods are not intended for use in the moving or lifting of persons!

The winches described herein are neither designed nor intended for use or application to equipment used in the lifting or moving of persons and it is understood that all such use shall be at the sole risk of the user.

The cable clamps on winches are not designed to hold rated loads. A minimum of 5 wraps of cable must be left on drum barrel to guarantee holding of rated load.

Applications of winch where life would be endangered by any event are not recommended.



BLOOM Manufacturing Inc. Winch Division

1443 220th Street,, Independence, Iowa 50644

FAX 319-827-1140 PHONE 319-827-1139