

BLOOM™ WINCH



Series 2000HC

HYDRAULIC PLANETARY CABLE WINCHES

The rugged construction and versatility of the **2000HC Series** makes it adaptable to a wide range of applications. The **2000HC Series** winch is equipped with a sliding clutch to allow free-spooling of the drum for pulling applications including factory material handling, mining and logging equipment, flat bed trailers, air freight pullers, off the road tractors and rear of cab and front mounting on ½ to 1 ½ ton trucks. The 2000HC Series is standard with Fail-Safe Brake.

"Quality Since
1910"

UP TO 12,800 LBS.
CAPACITY



Bloom™ Hydraulic Cable Winches – Standard Features

- MOTOR-BRAKE** - **DUET-SAFE® Double Action Braking System** combines a powerful spring applied, hydraulic released motor-brake with a double counter balance brake valve to automatically hold loads when hydraulic pressure is released and control speed during lowering operations. Winch is ideal for high speed pulling applications or wherever load holding is critical.
- GEAR CASE** - Made of high strength cast iron and steel. Completely sealed for oil enclosed operation and to keep dirt out.
- PLANETARY GEAR** - High Efficiency Double Reduction – Rugged - Built to Last.
- GEAR RATIO** - 17:1 standard.
- BEARINGS** - Drum Shaft is supported by two heavy duty oil lubricated bearings in gear case, and one permanently sealed ball bearing in end housing.
- DRUM SHAFT** - 1-1/2" diameter heat -treated alloy steel minimum tensile strength 150,000 psi.
- CABLE DRUM** - Tough all steel construction resists breakage or warping.
- CLUTCH** - 2000HC Series winches comes equipped with heat-treated dog type clutch to provide free-spooling of the winch drum. Positive lock-in and lock-out.



BLOOM

Manufacturing Inc.

Winch Division

Lifting
Pulling
Hoisting

www.bloommfg.com

"Custom Engineered Solutions"

Toll Free Number: 1-800-394-1139

1443 220th Street,, Independence, Iowa 50644 • FAX: 319-827-1140 • PHONE: 319-827-1139

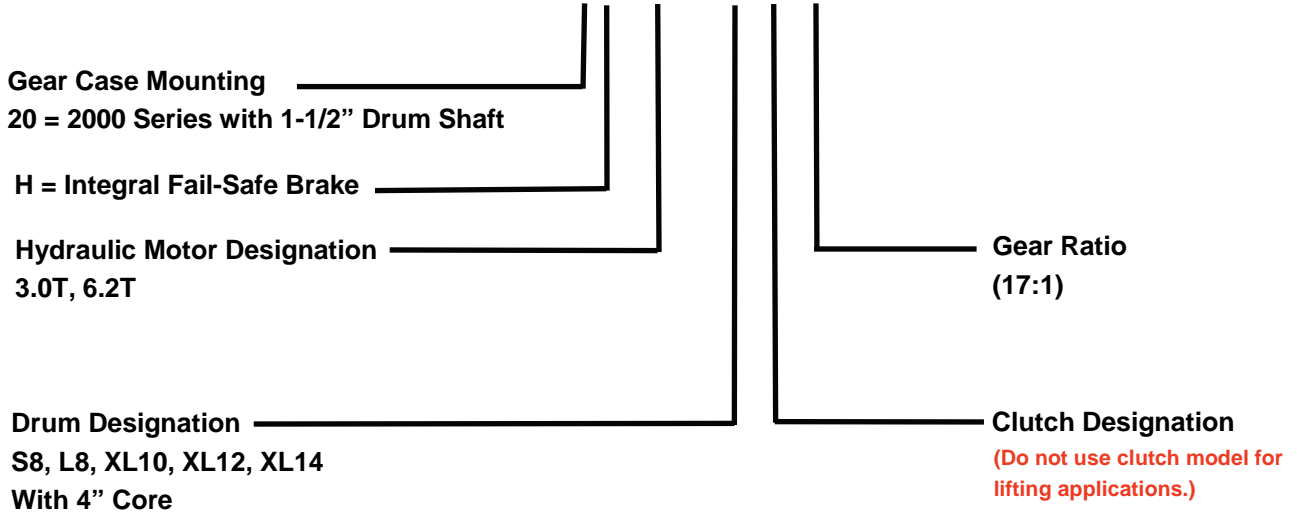
BLOOM™ WINCH



2000HC Series Model Selection from Performance Data

*"Quality Since
1910"*

MODEL EXAMPLE: 20H-6.2T-L8-C-17



(20H) Indicates a 2000HC Series winch with 1 1/2" drum shaft. The "H" indicates T series motor with standard fail-safe brake.

(6.2T) Designates hydraulic motor used. 6.2T designates a motor with standard fail-safe brake and includes counter balance valve. Fail-safe brake should be used in pulling application where positive load holding is required. To select proper motor size, use performance data chart. Hydraulic pressure (P.S.I.) and flow rate (G.P.M.) must be known.

(L8) Drum designation.

(C) Designates 2000HC Series winch with dog type clutch for free - spooling drum.

(17) Indicates gear ratio. 17:1 is standard.

BLOOM™ WINCH



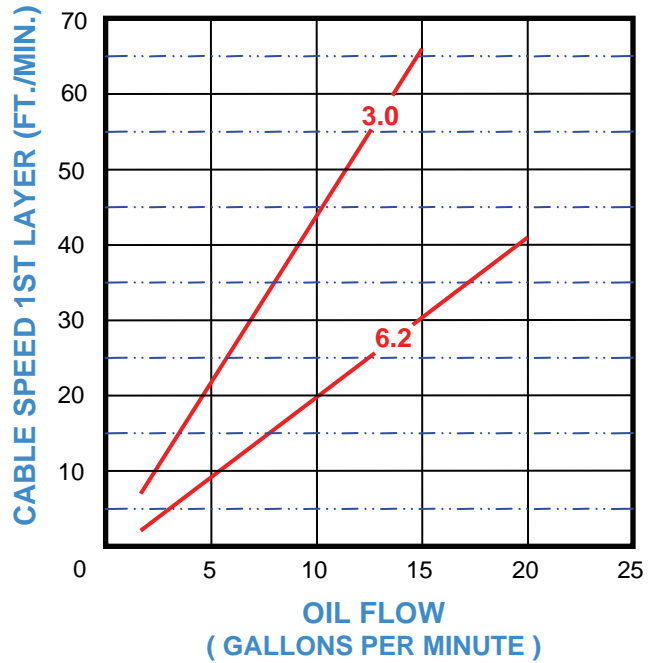
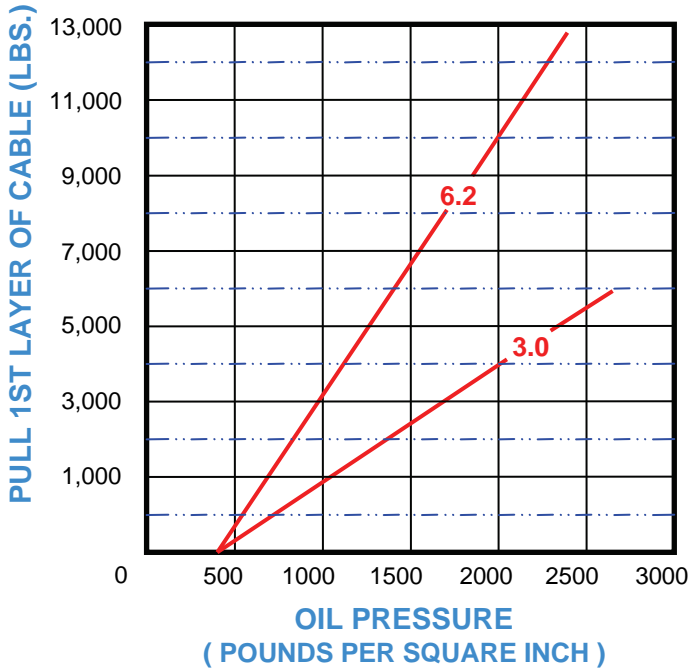
2000HC Series

With Hydraulic Fail-safe Brake

Model Selection from Performance Data

"Quality Since
1910"

17:1 RATIO



DRUM CAPACITY

CABLE DIAMETER (IN.)	1/4	5/16	3/8	7/16	1/2
"S8" DRUM	260	160	105	75	55
"L8" DRUM	390	240	160	110	80
"XL10" DRUM	840	550	340	250	170
"XL12" DRUM	1320	840	580	380	280
"XL14" DRUM	1900	1180	760	540	410

CAPACITY FEET

BLOOM™ WINCH

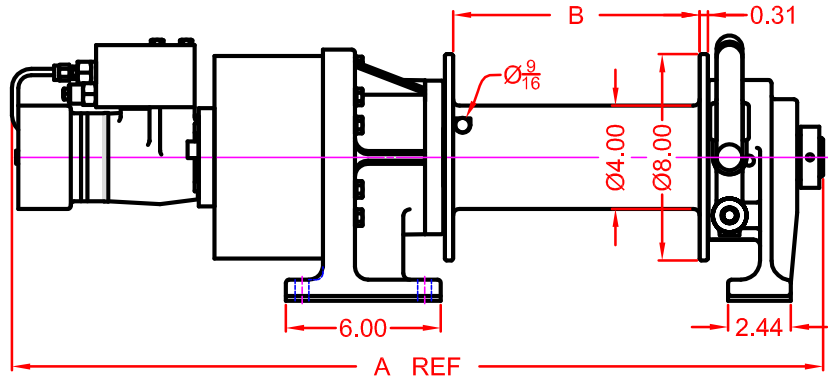
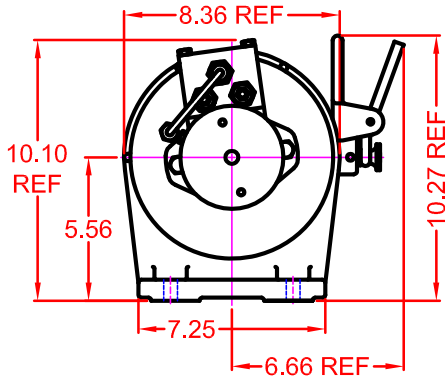


Dimensional Drawings

Series 2000HC
Base Mount Model - Clutch Drive

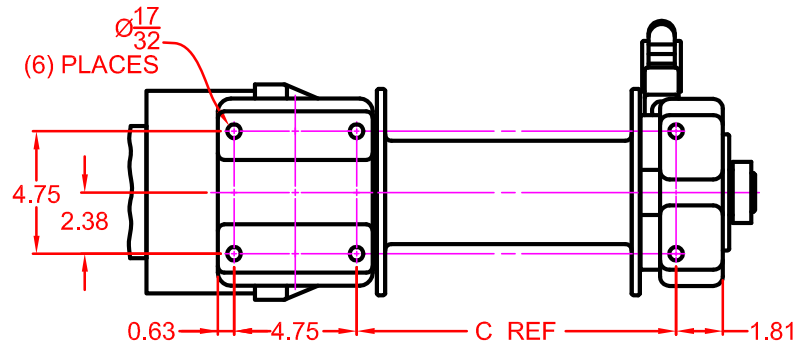
"Quality Since
1910"

With S8 & L8 Drum

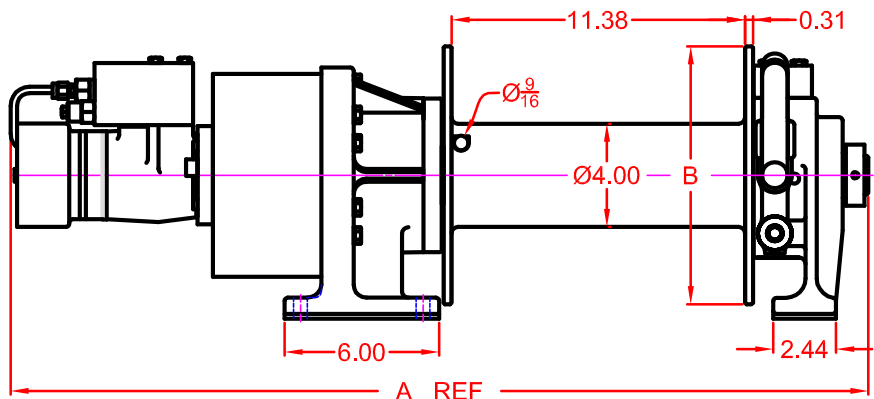
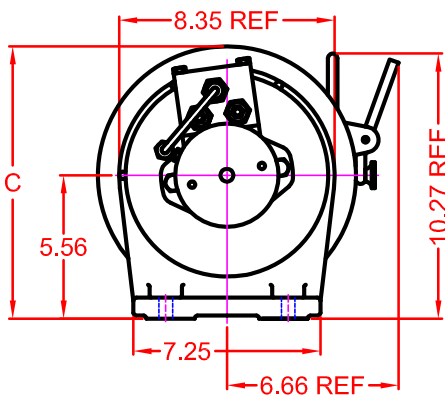


MOTOR DESIGNATION	A DIMENSION	
		3.0
S8 DRUM	28.44	28.82
L8 DRUM	31.44	31.82

DRUM DESIGNATION	WINCH DIM.	
	B	C
S8	6.56	9.38
L8	9.56	12.38

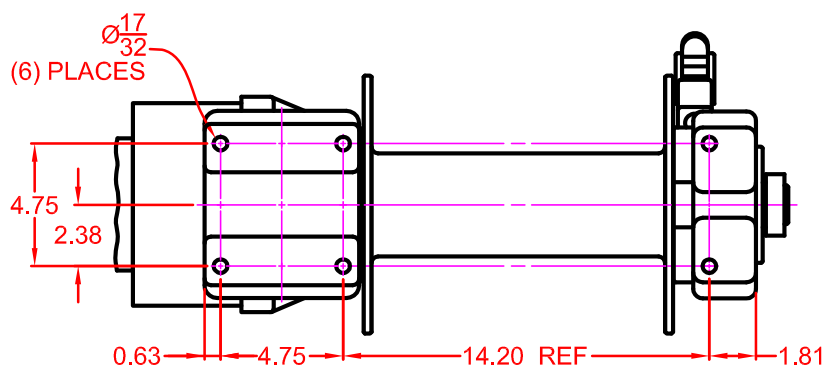


With XL10, XL12 & XL14 Drum



MOTOR DESIGNATION	3.0	6.2
A DIMENSION	33.25	33.63

DRUM DESIGNATION	WINCH DIM.	
	B	C
XL10	10	10.56
XL12	12	11.56
XL14	14	12.56



BLOOM™ WINCH

Correct choice of Directional Control Valves for Bloom Winches

Motor Spool Valve – Work Ports are **open** to tank in neutral position

Use on all winches that use Counter Balance Valves to hold load.

Some winches may use a combination of CB Valve and Hydraulic Brake.

*Winches require ridged mounting plate.
See owner's manual for information about proper mounting plate thickness or call Bloom Sales Engineer at factory

WARNING!

Goods are not intended for use in the moving or lifting of persons!

The winches described herein are neither designed nor intended for use or application to equipment used in the lifting or moving of persons and it is understood that all such use shall be at the sole risk of the user.

The cable clamps on winches are not designed to hold rated loads. A minimum of 5 wraps of cable must be left on drum barrel to guarantee holding of rated load.

Applications of winch where life would be endangered by any event are not recommended.



BLOOM Manufacturing Inc.

Winch Division

1443 220th Street, Independence, Iowa 50644

FAX 319-827-1140 PHONE 319-827-1139

www.bloommfg.com

©Copyright 2010 Bloom Mfg. Inc.