

BLOOM™ WINCH



*"Quality Since
1910"*

Series 1400C

HYDRAULIC CABLE WINCHES

The rugged construction and versatility of the **1400C Series** makes it adaptable to a wide range of applications. The **1400C Series** winches are equipped with a sliding clutch to allow free-spooling of the drum for pulling applications such as trailers, mining, logging equipment and off road tractors.



1400C Series shown
Low Profile or Base
Mount Available

**Up To 15,000 LBS.
CAPACITY**

Bloom™ Hydraulic Cable Winches – Standard Features

- | | |
|-------------------|--|
| GEAR CASE | - Made of high strength cast iron. Completely sealed for oil enclosed operation and to keep dirt out. |
| WORM SHAFT | - One piece alloy steel hardened and ground for extra durability. Seal on worm allows brake to be removed without draining oil. |
| WORM GEAR | - High tensile aluminum-nickel alloy bronze cast on high strength ductile iron hub. Optimum lead and pressure angles transmit maximum power to the drum. |
| GEAR RATIO | - 25:1 standard & 12.5:1 optional ratios provide optimum efficiency in power and speed. |
| BEARINGS | - Worm gear and worm shaft run on tapered roller bearings. Outer end housing has a grease zerk for lubricating the bronze bushing. |
| DRUM SHAFT | - 2-1/4" diameter heat-treated alloy steel minimum tensile strength 150,000 psi. |
| CABLE DRUM | - Tough all steel construction resists breakage or warping. |
| CLUTCH | - 1400C Series winches come with heat-treated dog type clutch to provide free-spooling of the winch drum. Positive lock-in and lock-out. |



www.bloommfg.com

BLOOM

Manufacturing Inc.

Winch Division

"Custom Engineered Solutions"

*Lifting
Pulling
Hoisting*

Toll Free Number: 1-800-394-1139

1443 220th Street,, Independence, Iowa 50644 • FAX: 319-827-1140 • PHONE: 319-827-1139

BLOOM™ WINCH

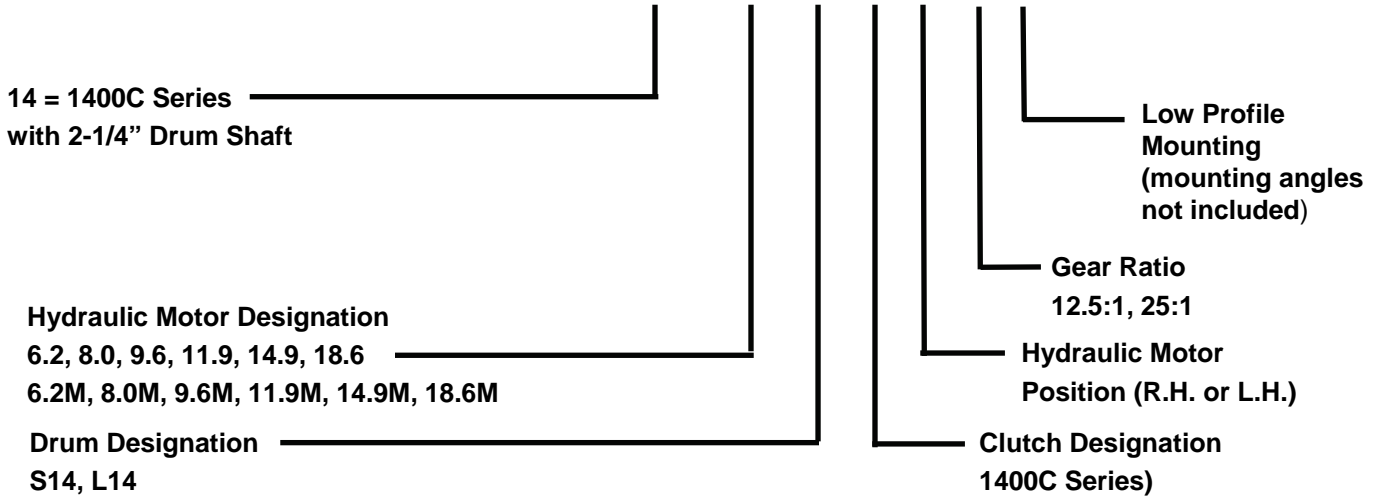


1400C Series

Model Selection from Performance Data

"Quality Since 1910"

MODEL EXAMPLE: 14-6.2M-L14-C-RH-25-LP



(Do not use clutch model for lifting applications.)

(14) Indicates a 1400C Series winch with 2 1/4" drum shaft.

(14C) Indicates a 1400C Series winch with 2 1/4" drum shaft. The "K" indicates spring applied hydraulic released fail-safe brake.

(6.2M) Designates hydraulic motor used. 6.2M designates a manifold mount motor which is used in conjunction with fail-safe brake and includes counter balance valve. Fail-safe brake should be used in pulling application where positive load holding is required. To select proper motor size, use performance data chart. Hydraulic motors with out "M" designation have 7/8"-14 S.A.E. female ports. Counterbalance valve ports are 1-1/16"-12 S.A.E. female ports. Hydraulic pressure (P.S.I.) and flow rate (G.P.M.) must be known.

(L14) Drum designation.

DRUM CAPACITY

CABLE DIAMETER (IN.)	5/16	3/8	7/16	1/2	9/16	5/8
DRUM "S14" CAPACITY (FT.)	615	400	300	225	160	115
DRUM "L14" CAPACITY (FT.)	1100	712	517	409	295	200

(C) Designates 1400C or 1400KC Series winch with dog type clutch for free - spooling drum.

(RH) Hydraulic motor may be placed on either side of the gear case. Specify right hand (RH) or left hand (LH) as viewed looking at gear case cover. Right hand is standard.

(25) Indicates gear ratio. 25:1 is standard. (12.5:1 Optional)

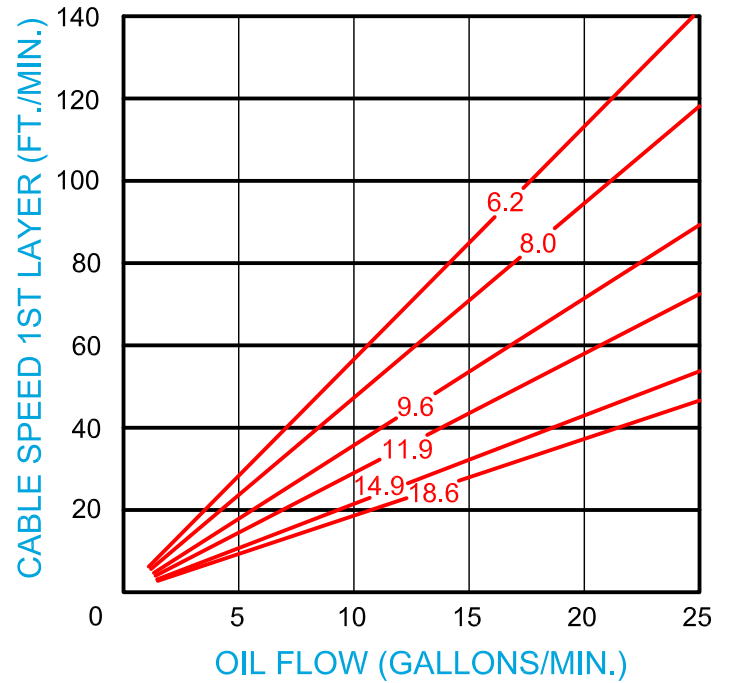
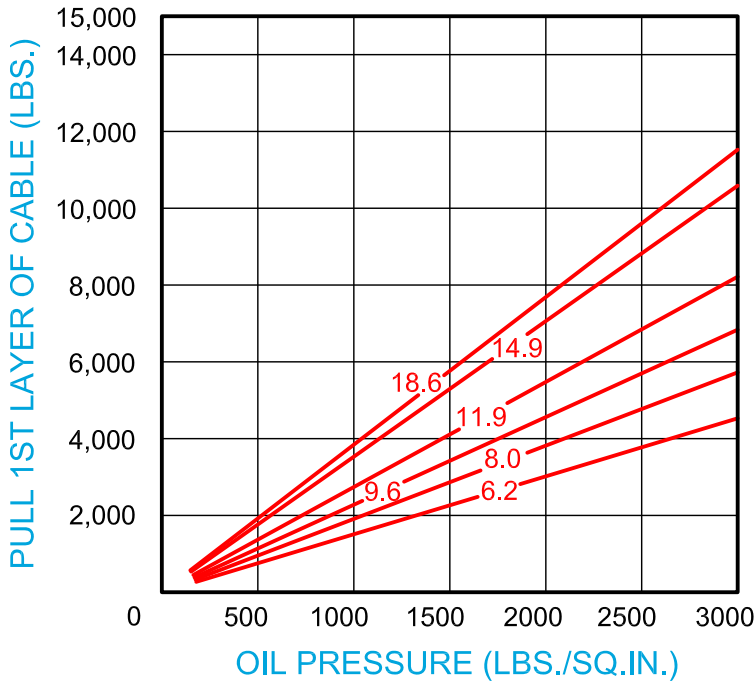
(LP) Designates low profile mounting. It is necessary on all low profile whether the winch is to be supplied "with angles" or "less angles".

BLOOM™ WINCH

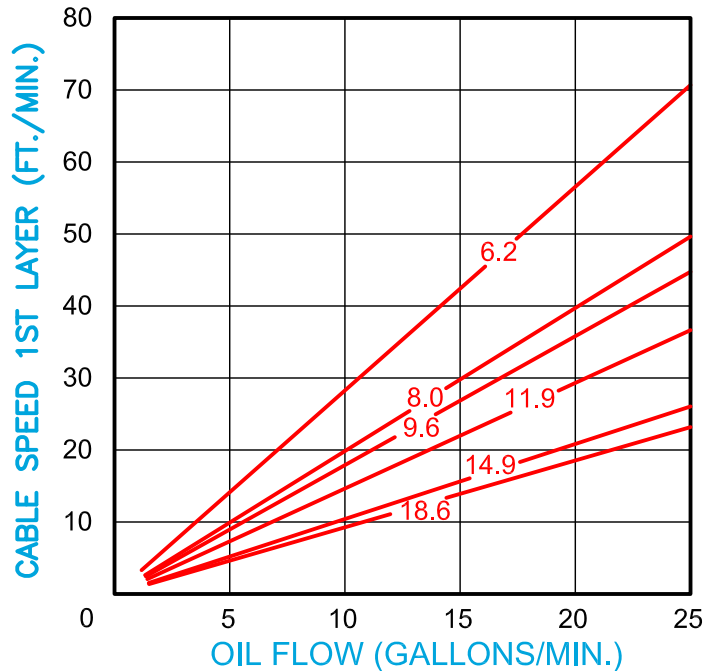
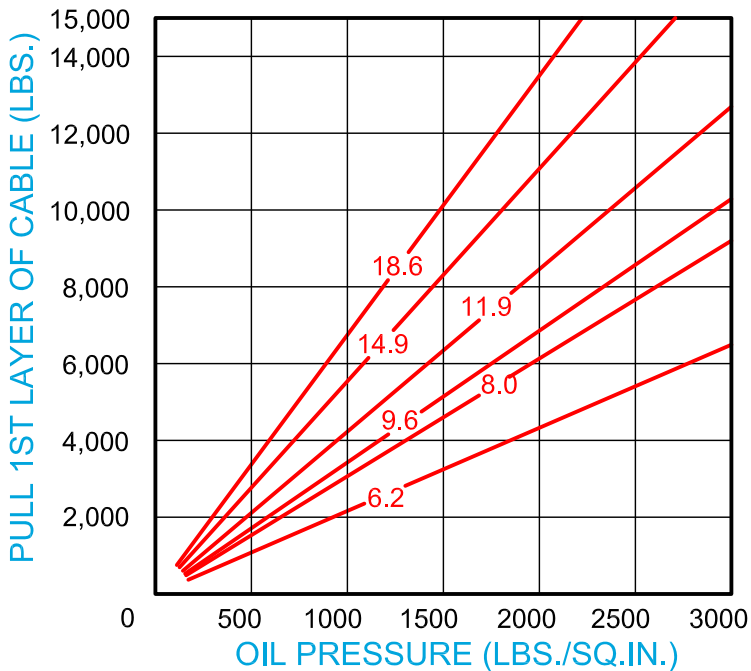
Series 1400C

Bloom Hydraulic Cable Winches Model Selection from Performance Data

12.5:1 RATIO (optional)



25:1 RATIO (standard)



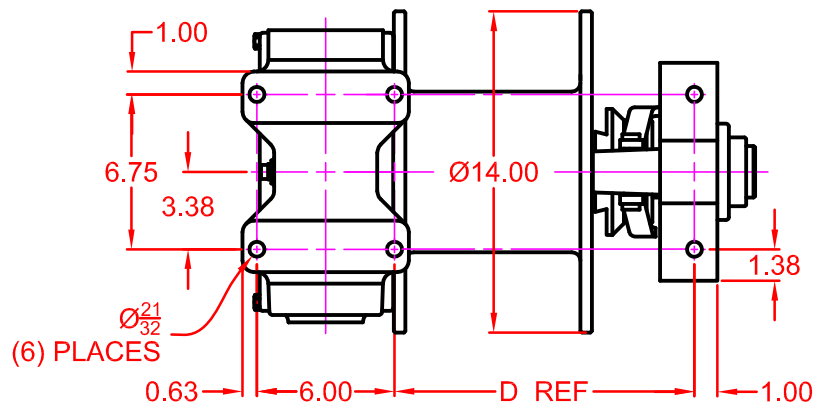
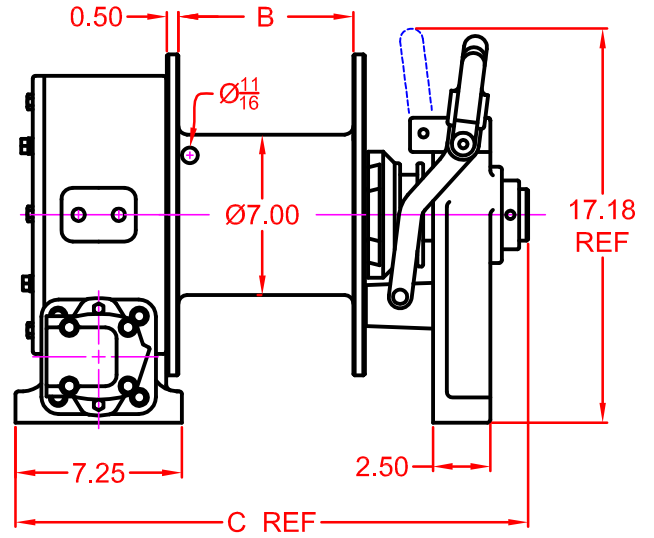
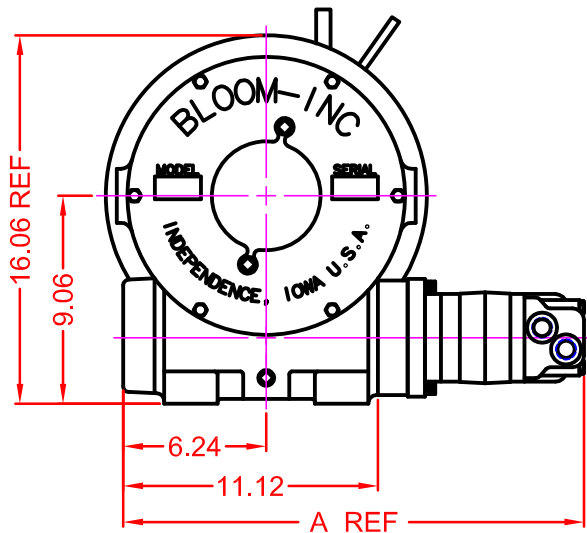


BLOOM™ WINCH

Dimensional Drawings

"Quality Since 1910"

Series 1400C With S14 & L14 Drums
Base Mount Model - Clutch Drive



MOTOR DESIGNATION	6.2	9.6	11.9	18.6
A DIMENSION	19.86	20.11	20.38	21.18

DRUM DESIGNATION	B	C	D
S14	7.63	22.35	13.08
L14	13.63	28.35	19.08

CABLE DIAMETER (IN.)	5/16	3/8	7/16	1/2	9/16	5/8
DRUM "S14" CAPACITY (FT.)	615	400	300	225	160	115
DRUM "L14" CAPACITY (FT.)	1100	712	517	409	295	200

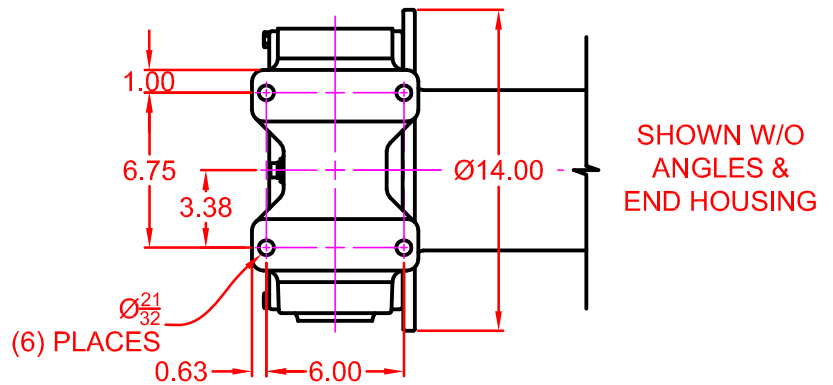
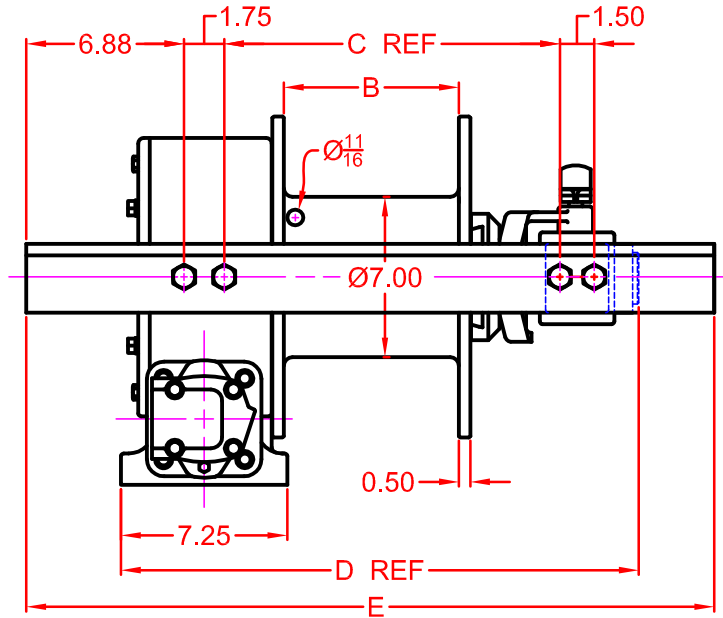
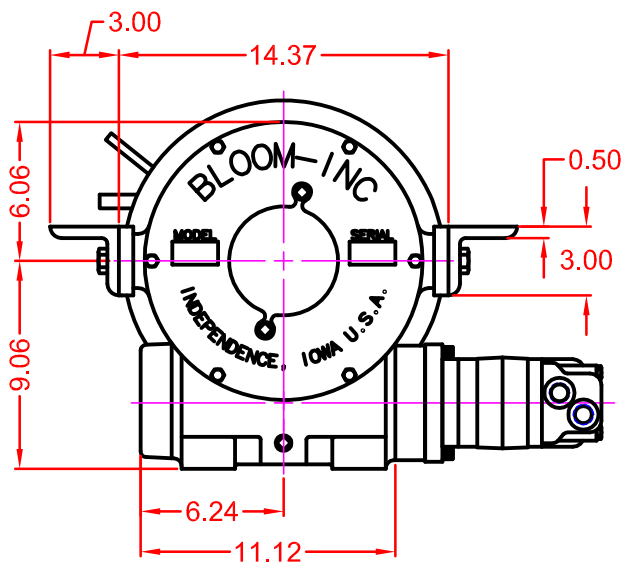


**"Quality Since
1910"**

BLOOM™ WINCH

Dimensional Drawings

Series 1400C With S14 & L14 Drums
Low Profile Model - Clutch Drive



MOTOR DESIGNATION	6.2	9.6	11.9	18.6
A DIMENSION	19.86	20.11	20.38	21.18

DRUM DESIGNATION	B	C	D	E
S14	7.63	14.64	22.58	30
L14	13.63	20.64	28.58	36

CABLE DIAMETER (IN.)	5/16	3/8	7/16	1/2	9/16	5/8
DRUM "S14" CAPACITY (FT.)	615	400	300	225	160	115
DRUM "L14" CAPACITY (FT.)	1100	712	517	409	295	200

BLOOM™ WINCH

Correct choice of Directional Control Valves for Bloom Winches

Tandem Center Spool Valve – Work Ports are **blocked** in neutral position

Use on all winches that use motor only to hold load.

*Winches require ridged mounting plate.
See owner's manual for information about proper mounting plate thickness or call Bloom Sales Engineer at factory

WARNING!

Goods are not intended for use in the moving or lifting of persons!

The winches described herein are neither designed nor intended for use or application to equipment used in the lifting or moving of persons and it is understood that all such use shall be at the sole risk of the user.

The cable clamps on winches are not designed to hold rated loads. A minimum of 5 wraps of cable must be left on drum barrel to guarantee holding of rated load.

Applications of winch where life would be endangered by any event are not recommended.



BLOOM Manufacturing Inc.

Winch Division

1443 220th Street, Independence, Iowa 50644

FAX 319-827-1140 PHONE 319-827-1139

www.bloommfg.com

©Copyright 2010 Bloom Mfg. Inc.