

# ROLLER CABLE GUIDE



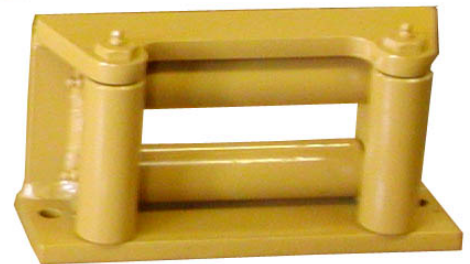
*"Quality  
Since 1910"*

- ✓ IMPROVES CABLE LIFE
- ✓ AIDS LEVEL SPOOLING
- ✓ PERMITS ANGLE PULLS
- ✓ PREVENTS DRUM FLANGE DISTORTION

14CG Roller  
Cable Guide



XL10CG Roller  
Cable Guide



Special Marine Roller  
Cable Guide

- *OVER-LAPPING ROLLERS GIVE 100% PROTECTION EVEN ON CORNER PULLS*
- *BOLT HOLE PROVIDED FOR EASY MOUNTING*
- *LARGE STEEL ROLLERS*
- *STRONG STEEL FRAME*



**BLOOM**  
Manufacturing Inc.  
Winch Division

*Lifting  
Pulling  
Hoisting*

Toll Free Number: 1-800-394-1139

[www.bloommfg.com](http://www.bloommfg.com)

**"Custom Engineered Solutions"**

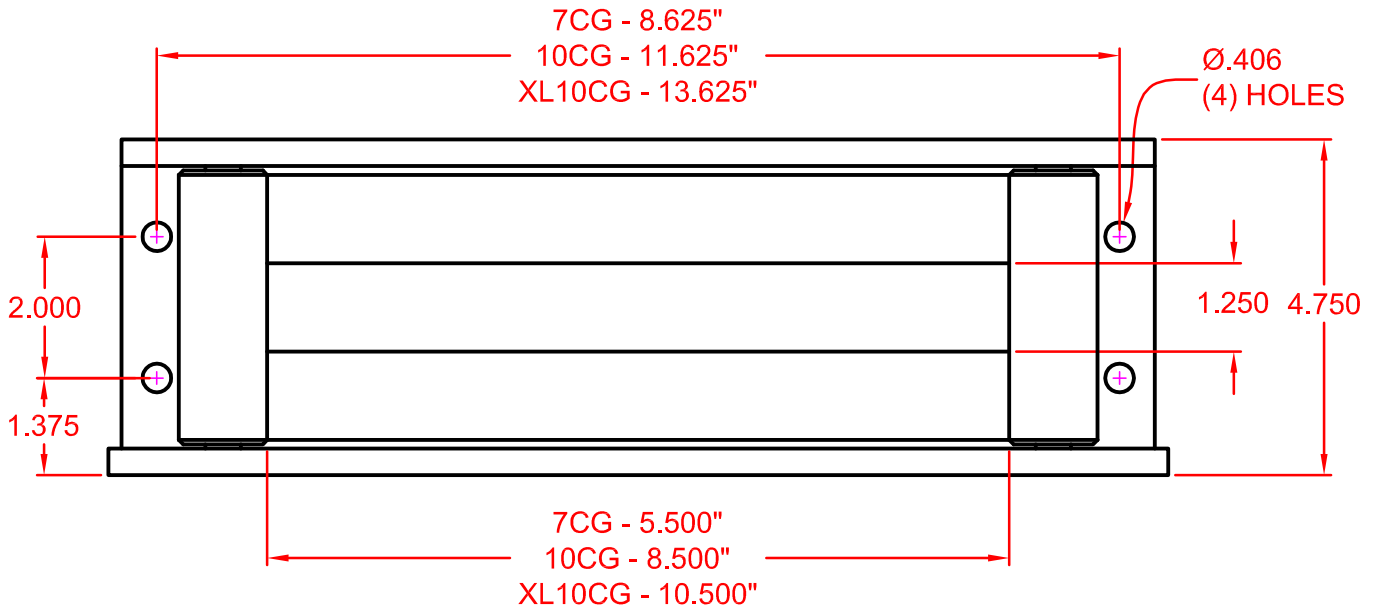
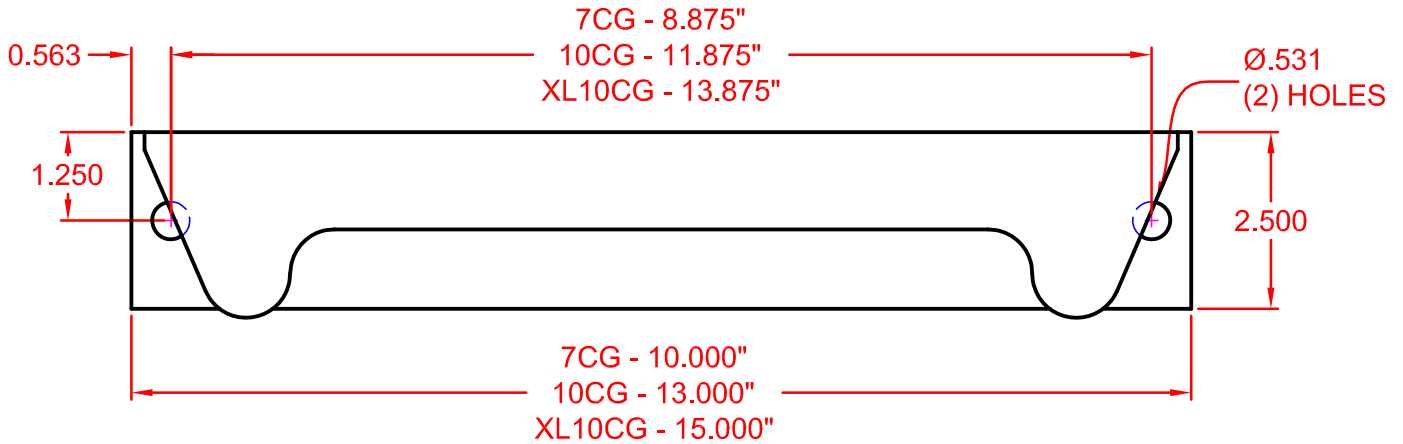
1443 220<sup>th</sup> Street., Independence, Iowa 50644 • FAX: 319-827-1140 • PHONE: 319-827-1139



# DIMENSIONAL DRAWINGS

ROLLER CABLE GUIDE  
MODEL 7CG, 10CG & 10CG

**"Quality Since  
1910"**



MODEL	DRUM TYPE
7CG	S & S8
10CG	L & L8
XL10CG	XL10, XL12 & XL14

4067

## Bloom Manufacturing Inc.

Winch Division  
1443 220th Street  
Independence, IA 50644

www.bloommfg.com  
Email: sales@bloommfg.com    engineering@bloommfg.com

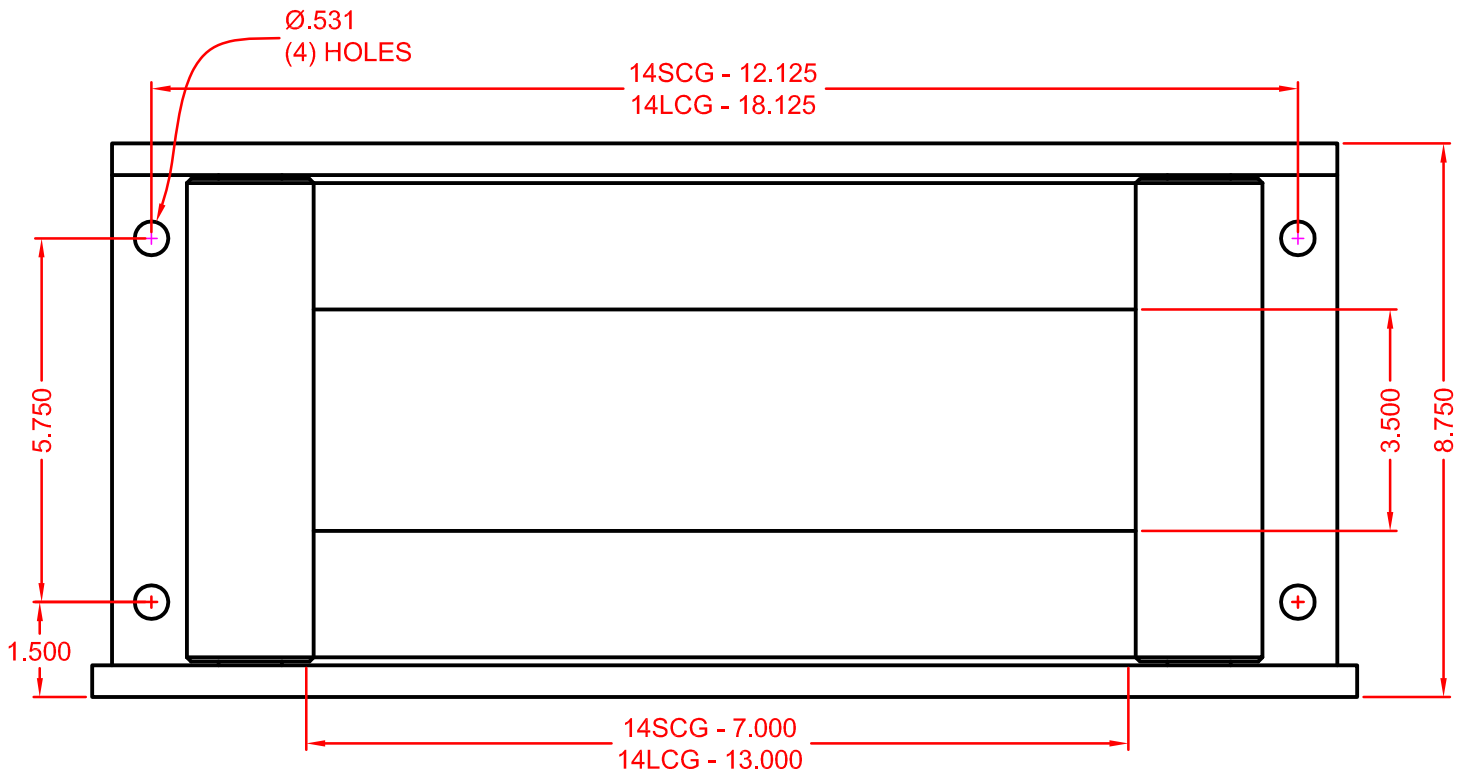
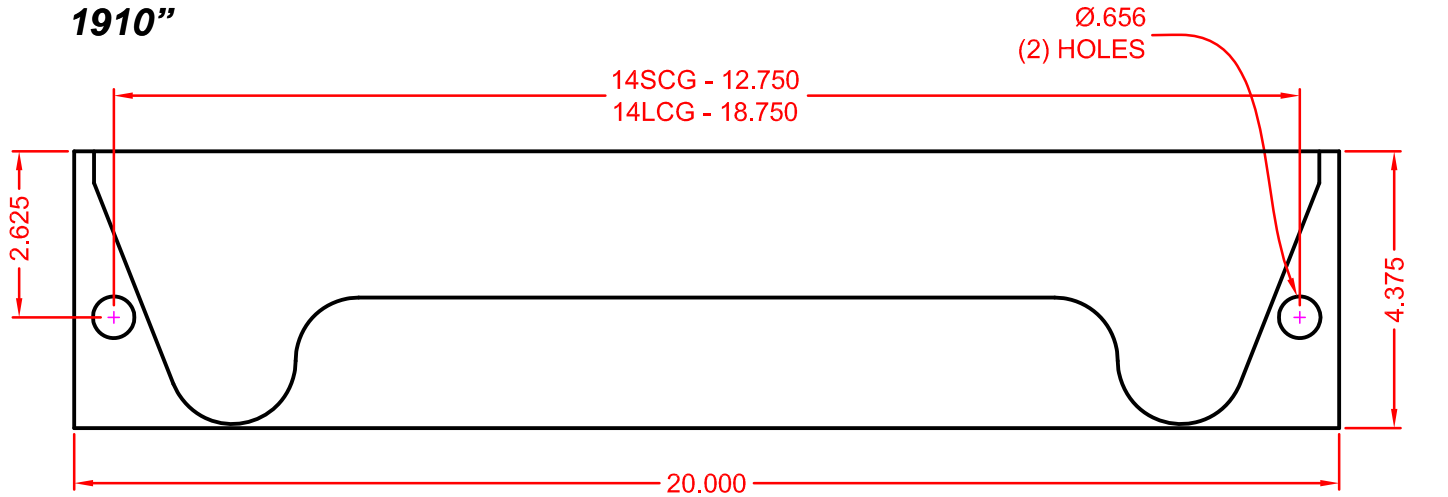
800-394-1139 tel  
319-827-1139 tel  
319-827-1140 fax



# DIMENSIONAL DRAWINGS

ROLLER CABLE GUIDE  
MODEL 14SCG & 14LCG

“Quality Since  
1910”



MODEL	DRUM TYPE
14SCG	S14 & S145
14LCG	L 14 & L145

4067

**Bloom Manufacturing Inc.**

Winch Division  
1443 220th Street  
Independence, IA 50644

www.bloommfg.com  
Email: sales@bloommfg.com engineering@bloommfg.com

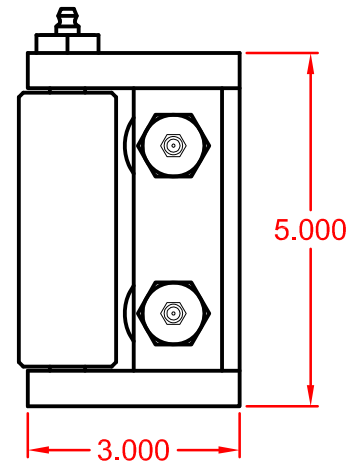
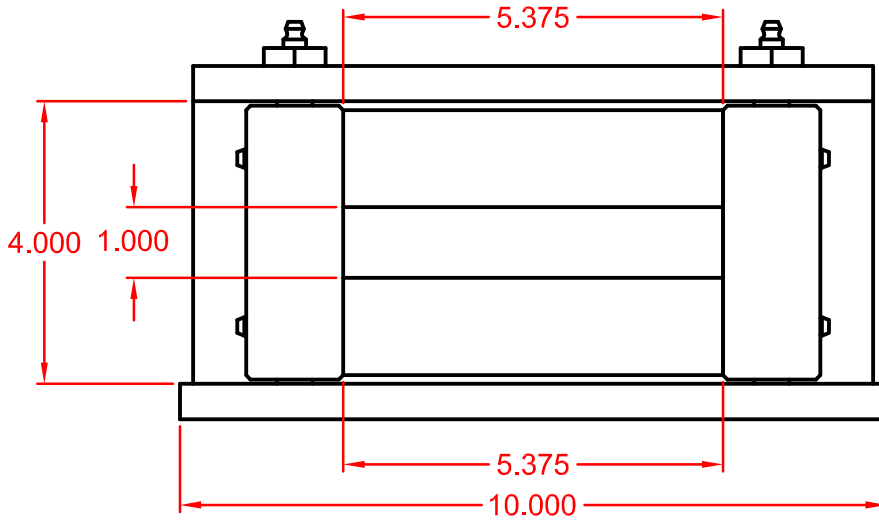
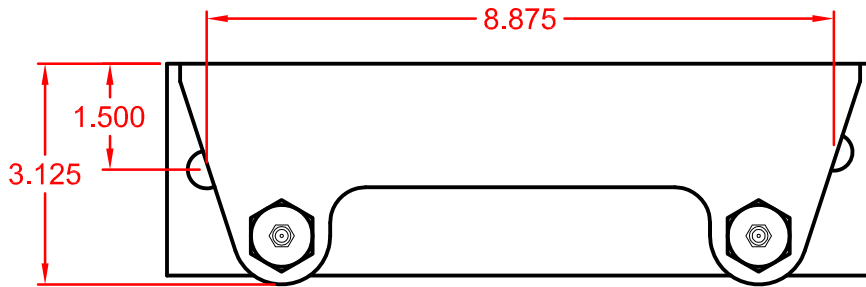
800-394-1139 tel  
319-827-1139 tel  
319-827-1140 fax



# DIMENSIONAL DRAWINGS

## SPECIAL MARINE CABLE GUIDE

**"Quality Since  
1910"**



# Bloom Manufacturing Inc.

Winch Division  
1443 220th Street  
Independence, IA 50644

[www.bloommfg.com](http://www.bloommfg.com)  
Email: [sales@bloommfg.com](mailto:sales@bloommfg.com)    [engineering@bloommfg.com](mailto:engineering@bloommfg.com)

800-394-1139 tel  
319-827-1139 tel  
319-827-1140 fax